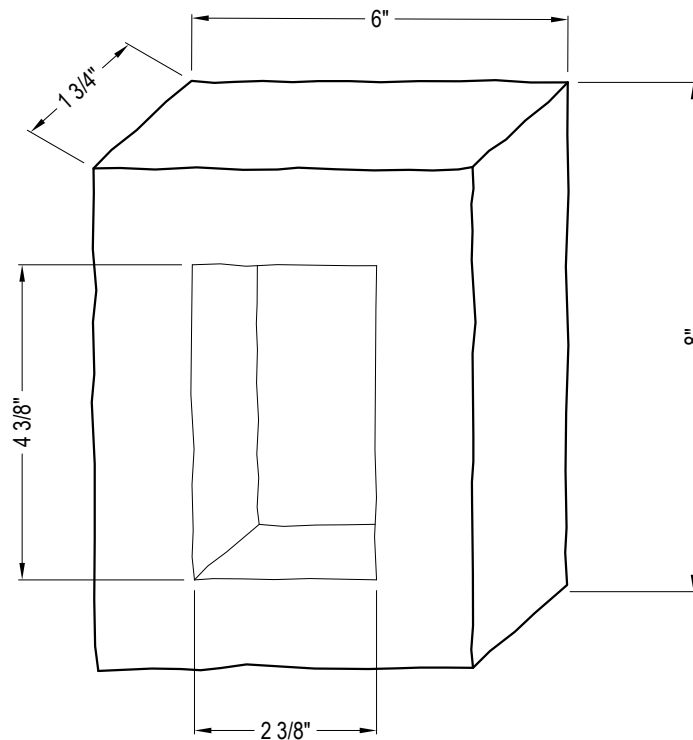




PRESTIGE STONE PRODUCTS
9290 WINESBURG RD.
DUNDEE, OH 44624
PHONE: (330) 439-5318
FAX: (330) 439-5319
www.prestigestoneproducts.com

SELECT DESIRED COLOR:

- BROWN
- CHARCOAL
- GRAY
- TAN
- WHITE



PERSPECTIVE - RECEPTACLE BLOCK

SPECIFICATIONS:

SMOOTH SURFACE / COMMONLY USED TO HOUSE AN ELECTRICAL OUTLET

DIMENSIONS: 6" L X 1 3/4" W X 8" D

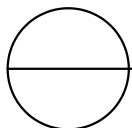
PACKAGING: 24 PER BOX / 16 BOXES PER SKID / 384 PER SKID

WEIGHT: 6 LBS EACH / 144 LBS PER BOX / 2354 LBS PER SKID

*50 LBS ADDED FOR PALLET WEIGHT

NOTES:

1. INSTALLATION TO BE COMPLETED IN ACCORDANCE WITH MANUFACTURER'S SPECIFICATIONS.
2. DO NOT SCALE DRAWING.
3. THIS DRAWING IS INTENDED FOR USE BY ARCHITECTS, ENGINEERS, CONTRACTORS, CONSULTANTS AND DESIGN PROFESSIONALS FOR PLANNING PURPOSES ONLY. THIS DRAWING MAY NOT BE USED FOR CONSTRUCTION.
4. ALL INFORMATION CONTAINED HEREIN WAS CURRENT AT THE TIME OF DEVELOPMENT BUT MUST BE REVIEWED AND APPROVED BY THE PRODUCT MANUFACTURER TO BE CONSIDERED ACCURATE.
5. CONTRACTOR'S NOTE: FOR PRODUCT AND COMPANY INFORMATION VISIT www.CADdetails.com/info AND ENTER REFERENCE NUMBER 5381-018.



ACCESSORIES

RECEPTACLE BLOCK